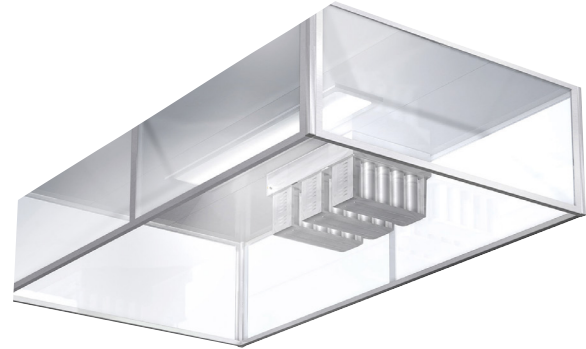


Exhaust air hood AF

Professional kitchen hood for equipment that generates grease, such as griddles, deep fryers and ranges.

- › Factory-assembled hood with exhaust air
- › Highly efficient cyclone filter for increased fire safety and easier cleaning of exhaust air ducts
- › Sides in stainless steel sheet metal or laminated glass
- › Recessed LED lighting in protection class IP 65
- › Accessories: UV light purification and fire extinguishing system



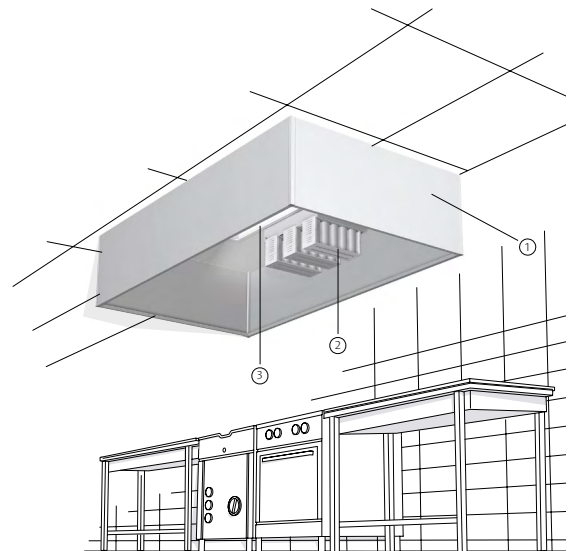
Function

Contaminated air is drawn up into the hood towards the efficient cyclone filters. The filtered air is then discharged via the exhaust air duct.

Design

The hood is manufactured with the desired number of sides and is delivered factory-assembled.

1. Sides in stainless steel sheet metal or 3+3 mm laminated glass
2. Cyklotec cyclone filter with damper and pressure tap
3. Recessed LED lighting in protection class IP 65



Recessed lighting

The lighting fixture is completely recessed and is approved to protection class IP 65, which means that it is dust-tight and can be exposed to water. The fixture is equipped with energy-saving LED lighting (2000, 4000 and 5000 lumens). The colour temperature is 4000 K and the colour rendering value RA(CRI) is 90.

The fixture is equipped with a 2 m extension cord with connector for easy further connection. Quick assembly with only one connection point. The fixture's length and wattage is 710 mm / 20 W, 1310 mm / 44 W and 1610 mm / 55 W. The drive unit is equipped with support for DALI.

Example description text

Exhaust air hood AF, manufactured by Acticon, with sides in brushed stainless steel sheet metal (or, alternatively, laminated glass).

Exhaust air and recessed LED lighting in protection class IP 65. Exhaust air connections with damper and pressure tap.

Cyklotec cyclone filter with 100% separation of particles; 7 µm at recommended flow and 9 µm at half flow. Cover from upper edge of hood to room ceiling.

The efficient cyclone filter works equally well when the fan is operating at full or half speed

Specifications

AF - R - 4 - 2200 x 1200 x 550 - 1 x 400 - 400 l/s
 F = Stainless steel sheet metal
 G = Laminated glass
 Number of sides
 Length in mm
 Depth in mm
 Height in mm
 Exhaust air connections: number x diameter
 Exhaust air in l/s

Dimensions

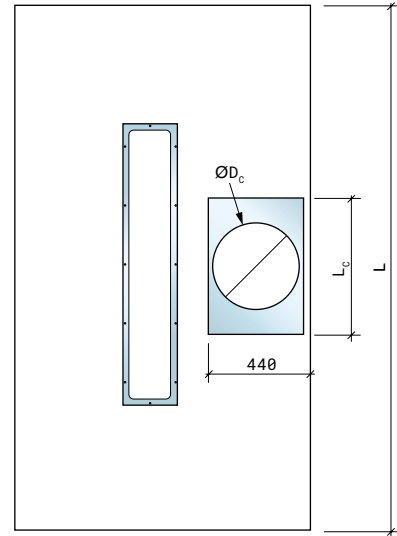
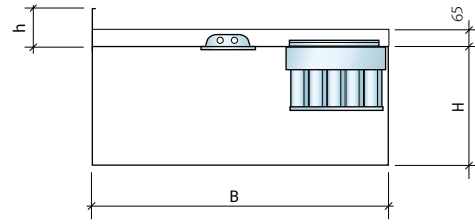
Height of hood H = 550 mm or 350 mm.

The length and depth may be freely selected. If the length x depth is greater than 3000 x 1800 mm, the hood is delivered in two or more modules. The connections for control and exhaust air have spigot connections with rubber ring seals. The width of the control air distributor is 1000 mm, and its connection is Ø100 mm.

Exhaust air

The number of filter cassettes in the Cyklotec cyclone filter is determined by the exhaust air flow. For effective separation, a pressure drop of at least 20 Pa across the Cyklotec filter is recommended, which corresponds to the lower exhaust air flow rate in the table below. At the higher air flow, the pressure drop is 80-90 Pa.

Exhaust air l/s	Number of filter cassettes	ØD _c mm	L _c mm
60 - 150	1	250	295
120 - 250	2	250	400
170 - 340	3	400	620
215 - 430	4	400	840
250 - 520	5	400	1060



- h = height of cover
- H = height of hood
- B = depth of hood
- L = length of hood
- ØD_c = diameter exhaust air connection
- L_c = length of filter housing

AIRsupply forbeholder sig ret til ændringer. Alle oplysninger, der står i denne brochure, kan ændres uden forudgående varsel.