

Control air hood AE

Professional kitchen hood for equipment that gives off grease. Particularly well suited for installation above combi ovens.

- › Factory-assembled hood with control air and exhaust air
- › Control air for enhanced odour capture capacity
- › Highly efficient cyclone filter for increased fire safety and easier cleaning of exhaust air ducts
- › Sides in stainless steel sheet metal
- › Recessed LED lighting in protection class IP 65
- › Accessories: UV light purification and fire extinguishing system



Function

Contaminated air is drawn up into the hood and the control air, in combination with the exhaust air, forces the fumes and smoke towards the efficient cyclone filter. The filtered air is then discharged via the exhaust air duct.

Design

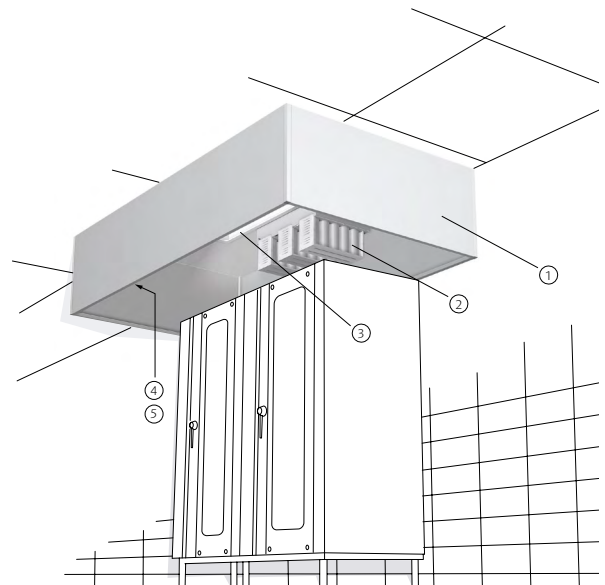
The hood is manufactured with the desired number of sides and is delivered factory-assembled.

1. Sides in brushed stainless steel sheet metal
2. Cyklotec cyclone filter with damper and pressure tap
3. Recessed LED lighting, protection class IP 65
4. Control air distributor with damper and pressure tap
5. Opening for supply of control air

Recessed lighting

The lighting fixture is completely recessed and approved to protection class IP 65, which means that it is dust-tight and can be exposed to water. The fixture is equipped with energy-saving LED lighting (2000, 4000 and 5000 lumens). The colour temperature is 4000 K and the colour rendering value RA(CRI) is 90.

The fixture is equipped with a 2 m extension cord with connector for easy further connection. Quick assembly with only one connection point. The fixture's length and wattage is 710 mm / 18 W, 1310 mm / 36 W and 1610 mm / 45 W. The drive unit is equipped with support for DALI.



Recessed LED lighting in protection class IP 65 is included as standard in our hoods

Example description text

Control air hood AE, manufactured by Acticon, with sides in brushed stainless steel sheet metal.

Control and exhaust air, and recessed LED lighting in protection class IP 65.

Control air and exhaust air connections with damper and pressure tap.

Cyklotec cyclone filter with 100% separation of particles; 7 µm at recommended flow and 9 µm at half flow.

Cover from upper edge of hood to room ceiling.

Specifications

AE - 4	-	2200	x	1200	x	550	-	2 x 100	-	1x400+30	l/s	-	500	l/s
Number of sides		Length in mm		Depth in mm		Height in mm		Control air connections: number x diameter		Exhaust air connection: number x diameter		Control air in l/s		Exhaust air in l/s

Dimensions

Height of hood H = 550 mm or 350 mm.

The length and depth may be freely selected. If the length x depth is greater than 3000 x 1800 mm, the hood is delivered in two or more modules. The connections for control and exhaust air have spigot connections with rubber ring seals. The width of the control air distributor is 1000 mm, and its connection is Ø100 mm.

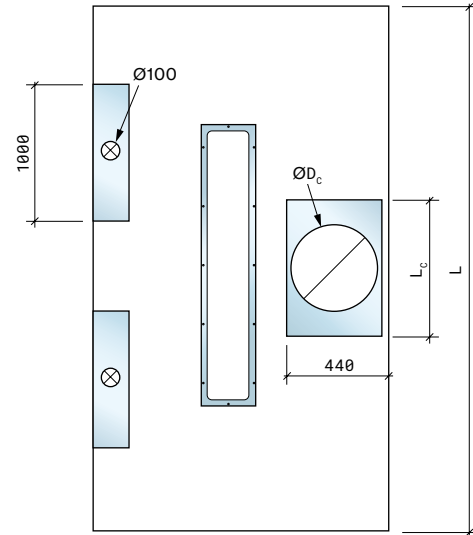
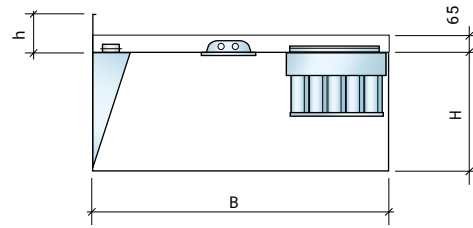
Exhaust air

The number of filter cassettes in the Cyklotec cyclone filter is determined by the exhaust air flow. For effective separation, a pressure drop of at least 20 Pa across the Cyklotec filter is recommended, which corresponds to the lower exhaust air flow rate in the table below. At the higher air flow, the pressure drop is 80-90 Pa.

Exhaust l/s	Number of filter cassettes	ØD _c mm	L _c mm
60 - 150	1	250	295
120 - 250	2	250	400
170 - 340	3	400	620
215 - 430	4	400	840
250 - 520	5	400	1060

Control air

Control air flow: 7 - 15 l/s per control air distributor.
Noise level is less than 25 dB(A) in the entire flow range.



- h = height of cover
- H = height of hood
- B = depth of hood
- L = length of hood
- ØD_c = diameter exhaust air connection
- L_c = length of filter housing

AIRsupply forbeholder sig ret til ændringer. Alle oplysninger, der står i denne brochure, kan ændres uden forudgående varsel.