

Condensation hood with supply air AKT

Professional kitchen hood for equipment that gives off steam and heat, such as boiling pots and dishwashers.

- › Factory-assembled hood with supply and exhaust air
- › Elegant recessed supply air terminal
- › Efficient and removable condensation separator
- › Sloping inner ceiling to prevent condensation from dripping
- › Sides in stainless steel sheet metal
- › LED lighting with DALI control



Function

Fresh air is supplied to the kitchen via the hood's supply air terminal. With the adjustable comfort nozzle located at the front of the air terminal, kitchen personnel can direct a small amount of air in the desired direction. Steam and excess heat are sucked up into the hood, where the condensed water is separated. The dehumidified exhaust air is discharged via the exhaust air duct. The sloping ceiling prevents condensation from dripping from the hood.

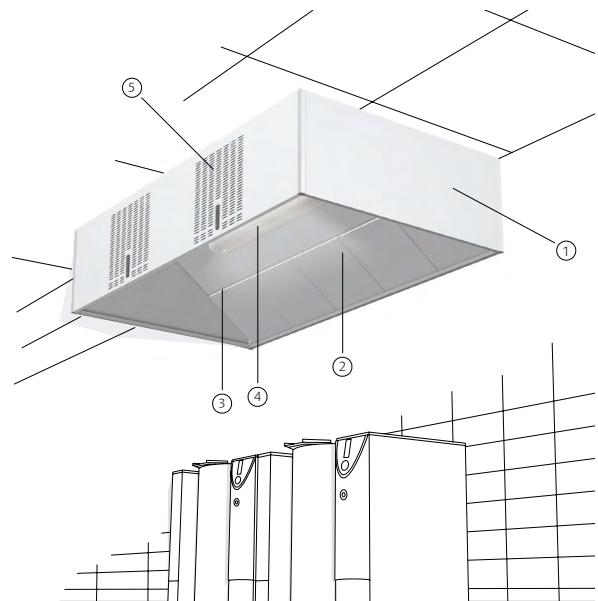
Design

The hood is delivered factory-assembled with four sides.

1. Sides in brushed stainless steel sheet metal
2. Condensation separator in stainless steel sheet metal
3. Pressure tap exhaust air
4. LED lighting, protection class IP 65
5. Integrated supply air terminal with damper, pressure tap, inspection hatch and adjustable comfort nozzle. The air terminals are placed on the long sides of the hood.

External lighting

The external lighting fixture is approved to protection class IP 65, which means that it is dust-tight and can be exposed to water. Supplied with LED lighting with colour temperature 4000 K and DALI control.



The condensation separators are easy to remove and clean

Example description text

Condensation hood AKT, manufactured by Acticon, with sides in brushed stainless steel sheet metal.

Supply air and exhaust air, and LED lighting with DALI control.

Supply air and exhaust air connections with damper and pressure tap.

Integrated supply air terminal with adjustable comfort nozzle.

Removable condensation separator. Cover from upper edge of hood to room ceiling.

Specifications

AKT - 2200 x 1200 x 550 - 2 x 250 - 2 x 315 + 350 l/s - 390 l/s
Length in mm
Depth in mm
Height in mm
Supply air connections: number x diameter
Exhaust air connections: number x diameters
Supply air in l/s
Exhaust air in l/s

Dimensions

Height of hood H = 550 mm or 350 mm.

Depth B = maximum 1700 mm when the height of the hood is 550 mm and maximum 1300 mm when the height is 350 mm.

The length of the hood may be freely selected. When the length is greater than 3000 mm, the hood is delivered in two or more modules.

The connections for supply and exhaust air have spigot connections with rubber ring seals.

Exhaust air

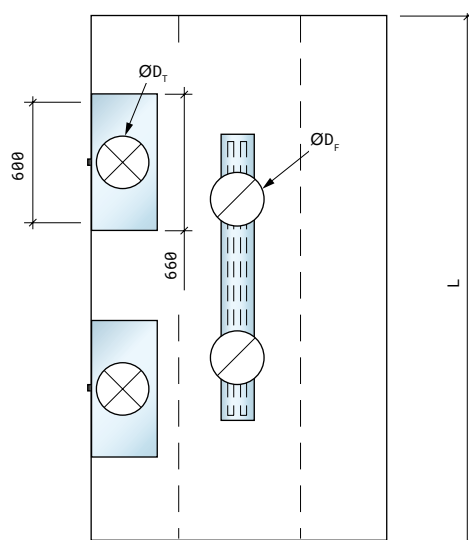
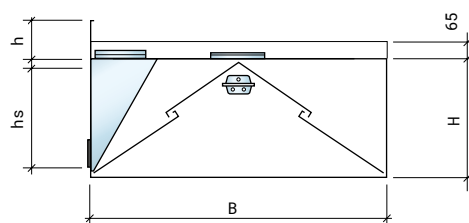
The condensation separator is dimensioned for a pressure drop of 10-70 Pa. The table shows suitable diameters ØD_F for the exhaust air connection at different exhaust air flows.

Exhaust Air l/s	Exhaust air connection ØD _F
0-100	200
100-150	250
150-250	315
250-420	400

Supply air

The table shows how much air that can be supplied per supply air distribution unit. Each air terminal, within its flow range, is delivered set to a static pressure drop of 20 Pa.

Supply air l/s	Height of hood	Height of distributor hs	Connection ØD _s , mm
50-110	350	260	200
50-110	550	260	200
90-195	550	460	250



- h = height of cover
- H = height of hood
- B = depth of hood
- L = length of hood
- hs = height of supply air distributor
- ØD_T = diameter supply air connection
- ØD_F = diameter exhaust air connection

AIRsupply forbeholder sig ret til ændringer. Alle oplysninger, der står i denne brochure, kan ændres uden forudgående varsel.